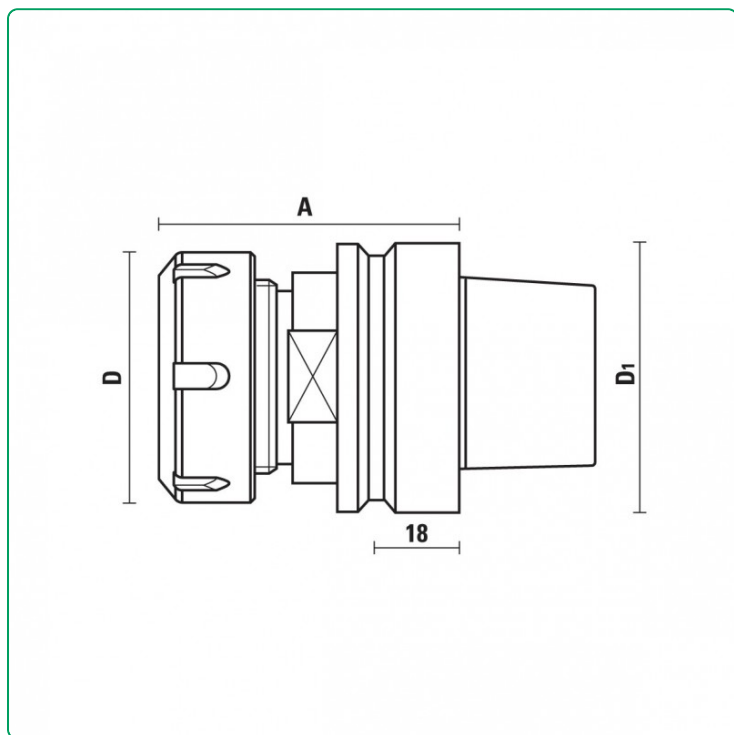


HW, HS AND DP TOOLS FOR WOOD, ALUMINIUM, PLASTIC



## COLLET CHUCKS HSK63F F

T118

- Supplied with nut (without collet)
- The "A" measure will be determined with clamping spring collet. The "A" measure may be subject to the diameter of the clamped tools
- To be used with our spring collets with 3° taper T133
- **Special micro-shot peening treatment**
- For: **Multiax machines**
- Wrench 45/50 - Art. **Z052.305.N**
- Torque hook wrench - Art. **Z052.735.N**

MACHINERY

SPARE PARTS AND ACCESSORIES



Watch the 360° video

Item	A	D	D1	Taper	Spring collets	Clamping nut	Ro
------	---	---	----	-------	----------------	--------------	----

T118.941.L	58	50	63	HSK63F	Ø 3÷25.4	Z091.005.R	
T118.941.R	58	50	63	HSK63F	Ø 3÷25.4(T133)	Z091.005.R	

